

THIS DRAWING IS THE PROPERTY OF JOYCE & REDDINGTON LTD AND MUST NOT BE REPRODUCED, COPIED, EITHER ELECTRONICALLY OR MECHANICALLY WITHOUT WRITTEN AUTHORITY FROM THE AUTHORING COMPANY.

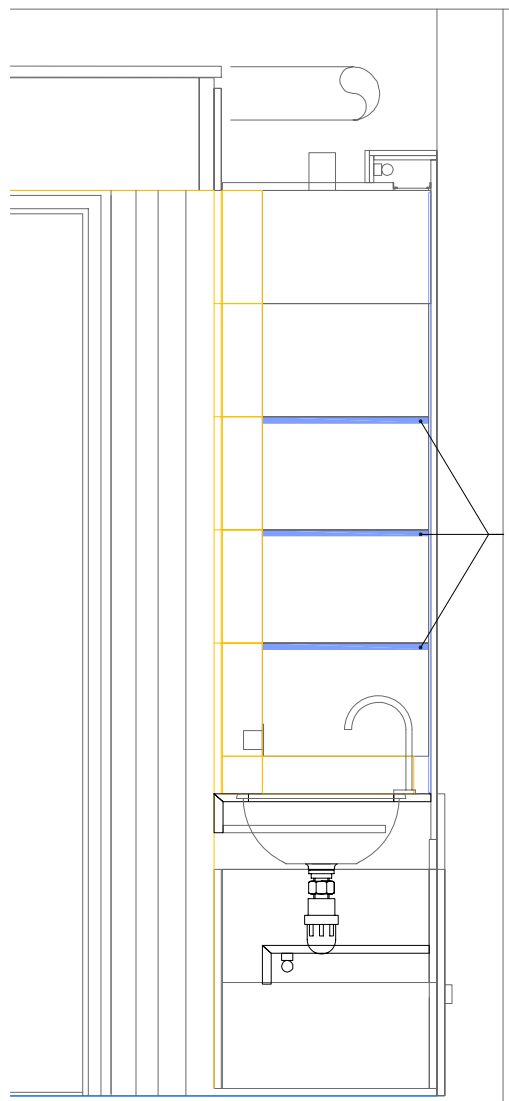
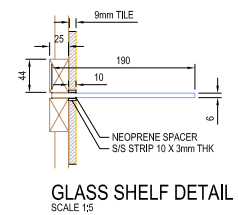
PLEASE USE ONLY STATED DIMENSIONS ONLY. DO NOT SCALE FROM THIS DRAWING. ALL GEOMETRY CONTAINED HEREIN IS FOR INFORMATION PURPOSES ONLY AND ALL DIMENSIONS MUST BE CHECKED ON SITE PRIOR TO ANY MANUFACTURE. PLEASE READ THIS DRAWING IN CONJUNCTION WITH OTHER RELEVANT DESIGN & SPECIFICATION DRAWINGS PLUS ALL RELEVANT PORTIONS OF THE SPECIFICATIONS. PLEASE CONFIRM THAT THIS IS THE LATEST VERSION OF THE DRAWING BY READING IT IN CONJUNCTION WITH THE RELEVANT DRAWING ISSUE SHEET.

IF YOU HAVE RECEIVED THIS AS A DWG FILE RATHER THAN A PDF THE CTR FILE DATE/TIME MUST BE USED IN ORDER FOR THIS DRAWING TO BE PLOTTED AS INTENDED.

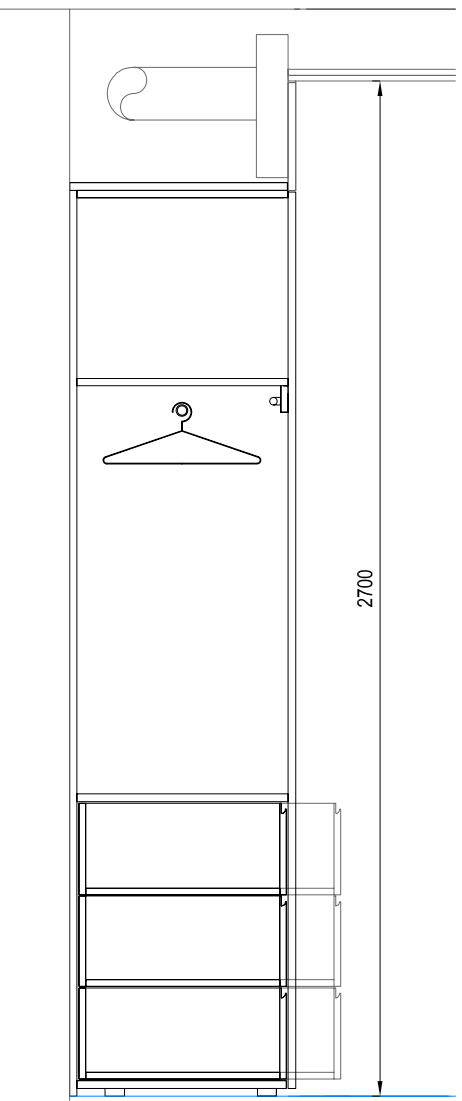
ANY ERRORS OR OMISSIONS SHOULD BE BROUGHT TO THE ATTENTION OF THE DESIGNER IMMEDIATELY.

JOYCE & REDDINGTON LIMITED SHALL HAVE NO RESPONSIBILITY FOR ANY USE MADE OF THIS DRAWING OTHER THAN THAT FOR WHICH IT WAS PREPARED & ISSUED.

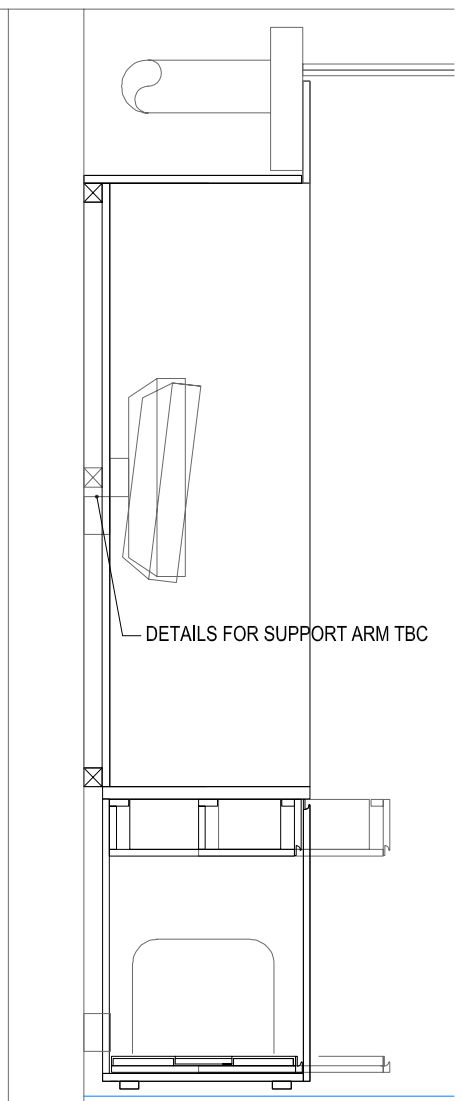
- DRAWINGS TO BE READ IN CONJUNCTION WITH SWIRE CRESCENT ROOM LAYOUT 1258-05-08 AND 11
- CRESCENT ROOM FINISH: STRAIGHT GRASS SLIP MATCH
- NOTE: ALL DOORS AND DRAWERS TO HAVE SOFT CLOSE MECHANISM
- NOTE: ALL DOOR VENEERS TO FRONT ELEVATION TO BE MATCHED
- NOTE: ALL DIMENSIONS ARE INDICATIVE ONLY, A FULL SURVEY IS REQUIRED TO DETERMINE ACTUAL DIMENSIONS FOR MANUFACTURE
- NOTE: POSITION OF ALL ELECTRICAL TRUNKS TO BE BY ARCHITECT



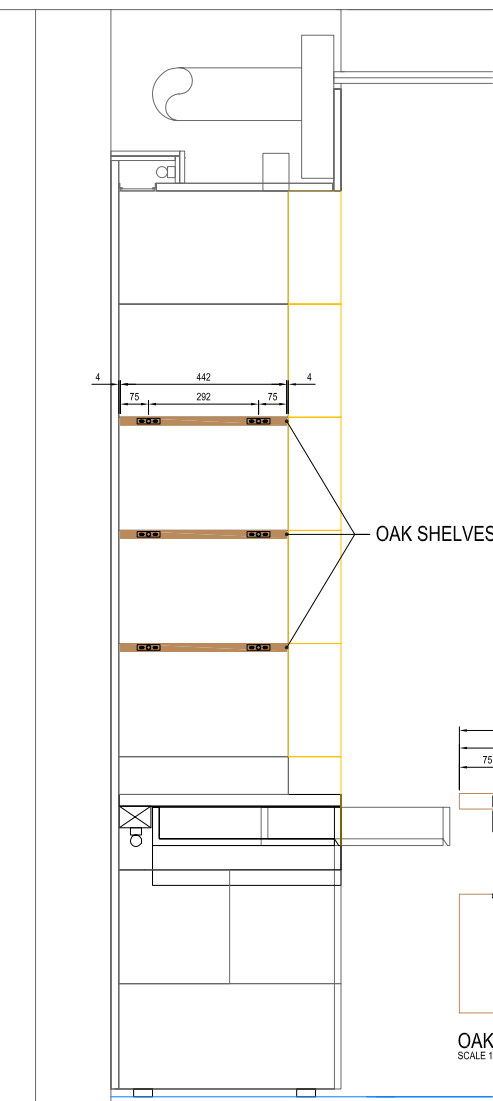
SECTION A~A
SCALE 1:20



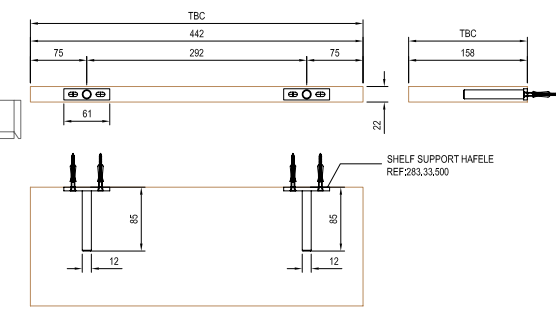
SECTION B~B
SCALE 1:20



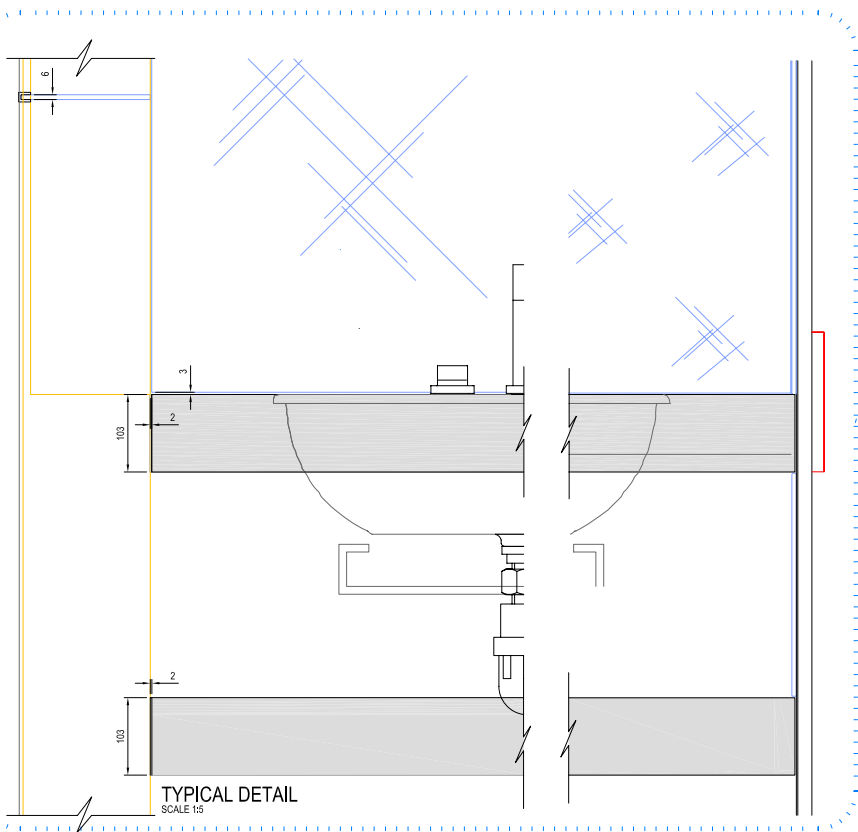
SECTION C~C
SCALE 1:20



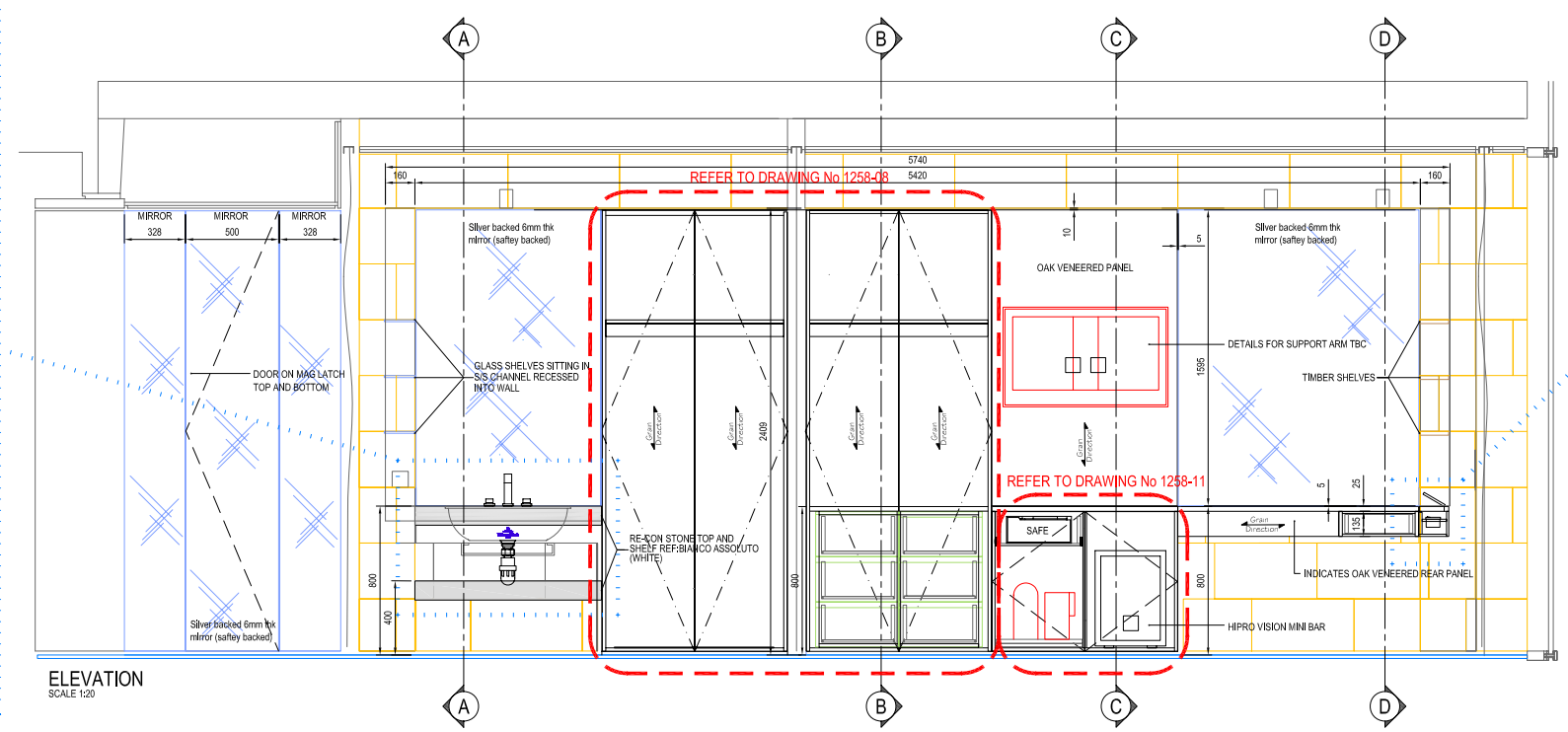
SECTION D~D
SCALE 1:20



OAK SHELF DETAILS
SCALE 1:5

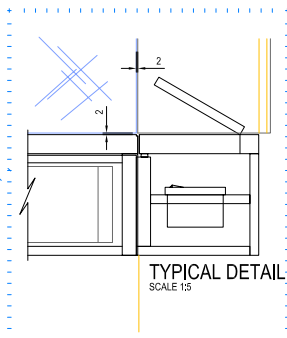


TYPICAL DETAIL
SCALE 1:5



ELEVATION
SCALE 1:20

THIS DRAWING SHOULD BE READ IN CONJUNCTION WITH JOYCE & REDDINGTON DRAWING 1258-06-01



TYPICAL DETAIL
SCALE 1:5

REV	DATE	DESCRIPTION	BY	CHK
A	9	REVISED TO COMMENTS	MW	

CONSTRUCTION

JOYCE & REDDINGTON LTD
J & R House, Conduff Road, Norton Canes, Cannock, Staffordshire, WS11 9TJ
Telephone: 01543 277276
Facsimile: 01543 277286
email: info@joyceandreddington.com
www.joyceandreddington.com

CLIENT: **THOMAS VALE**

PROJECT TITLE: **SWIRE HOTEL**

DRAWING TITLE: **CRESCENT ROOM**

DRAWN BY: 1258	DATE: 26.02.10
PROJECT NO: 1258	SCALE: 1:XX @ A1
DRAWING NO: 1258-06-02	REVISION: A